



Barcode: 5060452080925

# chemcube™ cabinet

Product code: CCC3

- » Free standing cabinet for storing pesticides and other chemicals.
- » Ventilated to help prevent the build-up of fumes or gases.
- » Bunded safety feature controls any possible spillages.



## Product features



COSH H compliant



Sump capacity



No detachable parts



Safety signage



Up to 3 shelves

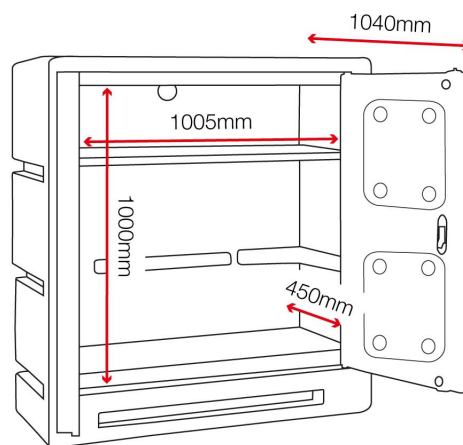
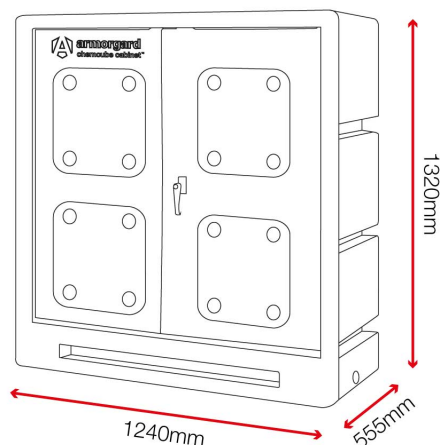


Cam lock

## Product specifications

Weight	47kg
Colour	Blue and yellow
Suitable for	Outdoor storage of chemicals
Material & thickness	Double layer polyethylene
Quantity of keys	2 keys
How are castors fitted?	Not applicable
Other sizes available	2 other sizes
Ventilation	Yes
Qty of shelves as standard	2 shelves

## Dimensions



## Related products - Contact Armorgard to find out more



ChemBank CB2



ChemBank CBC4



TransBank Chem TRB4C



TransBank Chem TRB2C